



Acme Sanitary Ware Co Ltd

Acme Building, 22-28 Nanking Street, Kowloon, Hong Kong
 Tel: 2388 7171 Fax: 2710 8012
 E-mail: acme@acmesanitary.com.hk
 Website: www.acmesanitaryware.com.hk



Pure Freude
an Wasser

PROJECT		REF		REV	ITEM CODE	
LOCATION		DATE			PAGE	

SANITARY WARE SPECIFICATION SHEET

Item Descriptions	GROHE (Germany) "Cosmopolitan 210 " chrome plated shower head with shower arm; Nominal flow rate 7.8 L/min in WELS Grade 1 ; Registration No. SB 10-0017
Dimensions	Refer to drawing
Model	28373000 (shower head) 28724000 (shower arm)
Material	Chrome Plated
Manufacturer	GROHE Limited
Supplier	Acme Sanitary Ware Co. Ltd Mr. Eric Wong/ Mr. Wilson Hung
Contact Tel/Fax	(852) 2388-7171 / (852) 2710-8012
E-mail	acme@acmesanitary.com.hk
Website	www.acmesanitary.com.hk

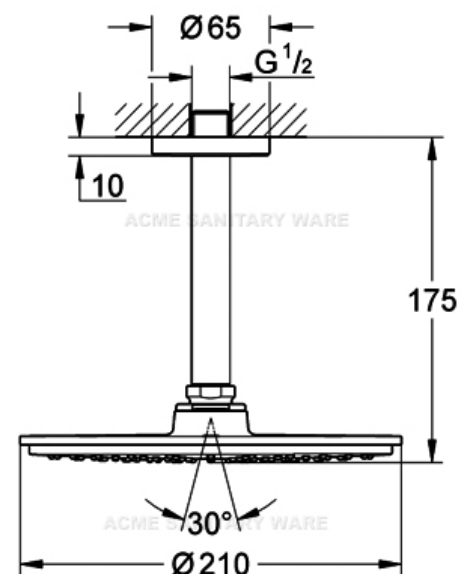
Illustration/ Drawing



Dynamic flow pressure (kPa)	50	150	250	350	500
Flow rate (l / min)	6.50	7.50	7.80	8.10	8.20

- Rain spray pattern (1 spray-rain) starting at 0.5 bar flow pressure
- Metal
- 120 spray nozzles
- With ball joint
- Rotation angle $\pm 15^\circ$
- 1/2" Connection thread
- 2.5 gpm (9.5 l/min) flow limiter
- **GROHE DreamSpray** perfect flow
- **GROHE StarLight** chrome finish
- **SpeedClean** anti-lime system
- Max Flow Rate 2.5 gpm at 80 psi (9.5 L/min)

connection thread 1/2"
GROHE StarLight chrome finish



Note:

* All information of the above is for the reference only. No prior notice is made if any changes.

註冊號碼 (Registration No.): SB 10-0017




自願參與用水效益標籤計劃 - 沐浴花灑
Voluntary Water Efficiency Labelling Scheme - Showers for Bathing



茲證明
This is to certify that

將下列花灑在本計劃內註冊：
has registered the following shower under this scheme :

牌 子 / Brand	:	GROHE
型 號 / Model	:	28373 000
原產地 / Country or Region Origin	:	Germany

在用水效益標籤上展示的標誌 <i>Symbolic Presentation on the Water Efficiency Label</i>	:		滴水點 <i>Water droplet(s)</i>
用水效益級別 <i>Water Efficiency Grade</i>	:	1	
耗水量 <i>Water Consumption</i>	:	7.8	公升/分鐘 <i>litres/minute</i>

簽發日期:
Date of Issue: 27 April 2010

 水務署
Water Supplies Department



水務署署長(錢柱森代行)
for Director of Water Supplies